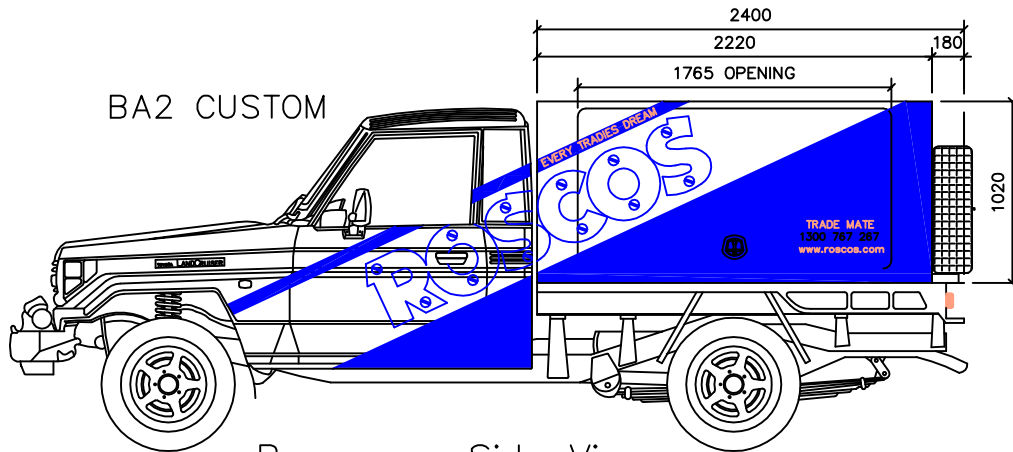
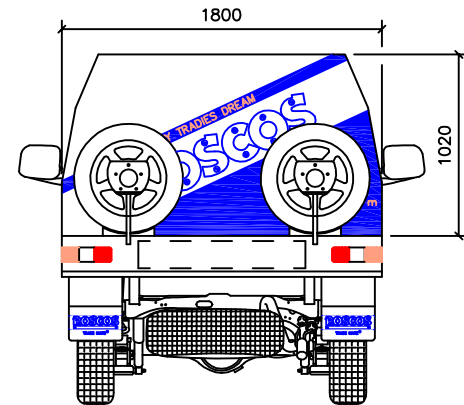


BIG AL-BA2 CUSTOM SPECIFICATION



Passenger Side View



Rear View

DESCRIPTION: The Big Al is a two-door body with two fixed spare tyre mounts at the rear. Including two interior lights, side door safety switches and is colour coded to match the cab (Metallic extra). This Trade Mate is bolted directly to the chassis.

SUITABLE FOR SINGLE CAB VEHICLES

Make & Model

Toyota Landcruiser Single cab chassis

***Please note: Location for toolboxes & water tanks are determined by cab chassis specifications & area availability.**

OPTIONS:

- *Upgrade to Lowering Spare Tyre Mount
- *Underslung water tank
- *Underslung toolbox
- *Remote central locking (if fitted to cab)
- *Front and rear windows
- *Side door window
- *Security mesh
- *Slide out or vertical vices (100mm or 125mm)
- *Bi-fold door (door opening reduced by 20mm)
- *Lock mat flooring
- *Slide out shovel tray (130mm)
- *Sealed Slide out shovel tray
- *Slide out shovel tray safety switch
- *Adjustable Gas bottle restraints (suits upto 300mm, including ratchet strap & floor vents)
- *Roll over protection fitted @ front of TRADE MATE internally
(when bull bar fitted in conjunction with the above a certificate will be issued)
- *Roof or Roof rack mounted Swivel work lamp
- *Roof or Roof rack mounted Revolving Amber Beacon
- *Brake, tail, reverse & indicator assembly mounted to roof rack or back panel (pair)
- *Roof rack mounted Brake, tail lights (pair)
- *Roof rack mounted front & rear facing indicators (pair)
- *Roof racks
- *Side Steps (front/rear)
- *Shelving
- *Spring upgrades

***All measurements listed are approximate and are only to be used as a guide. Management reserves the right to alter measurements without notice.**