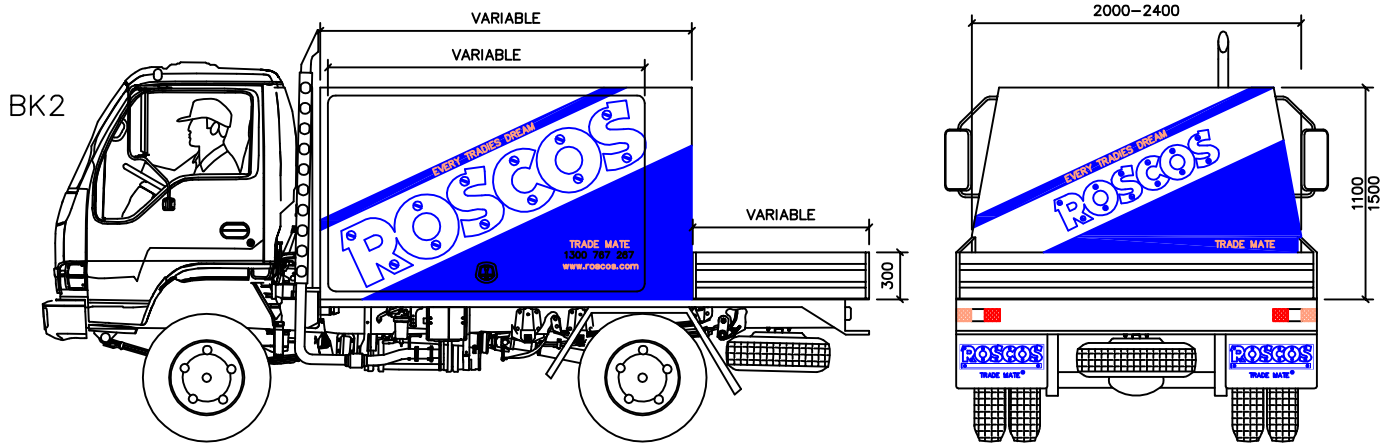


BIG KAHUNA—BK2 SPECIFICATION



DESCRIPTION: The Big Kahuna is a 2-door body with rear tray space, drop sides & rear steps. Including two interior lights, side door safety switches, door straps and is colour coded to match the cab (Metallic extra). This Trade Mate is bolted directly to the chassis.

SUITABLE FOR TWO TONNE CAB CHASSIS

Hino Dutro cab chassis
Isuzu cab chassis
Mitsubishi Canter
Ford Transit cab chassis
Mercedes Sprinter cab chassis
F250 & F350 cab chassis

***Please note: Locations for toolboxes & water tanks are determined by cab chassis specifications & area availability.**

OPTIONS:

- *Underslung water tank
- *Underslung toolbox
- *Remote central locking (if fitted to cab)
- *Bi-fold door (door opening reduced by 20mm)
- *Front and rear windows
- *Side door window
- *Security mesh
- *Slide out or vertical vices (100mm or 125mm)
- *Roof or Roof rack mounted Swivel work lamp
- *Roof or Roof rack mounted Revolving Amber Beacon
- *Brake, tail, reverse & indicator assembly mounted to roof rack or back panel (pair)
- *Roof rack mounted Brake, tail lights (pair)
- *Roof rack mounted front & rear facing indicators (pair)
- *Side Steps (front/rear)
- *Shelving available

***Please note: it is not always possible to fit slide out trays to Big Kahunas
ROPS or FOPS available on request.**

***All measurements listed are approximate and are only to be used as a guide.
Management reserves the right to alter measurements without notice.**