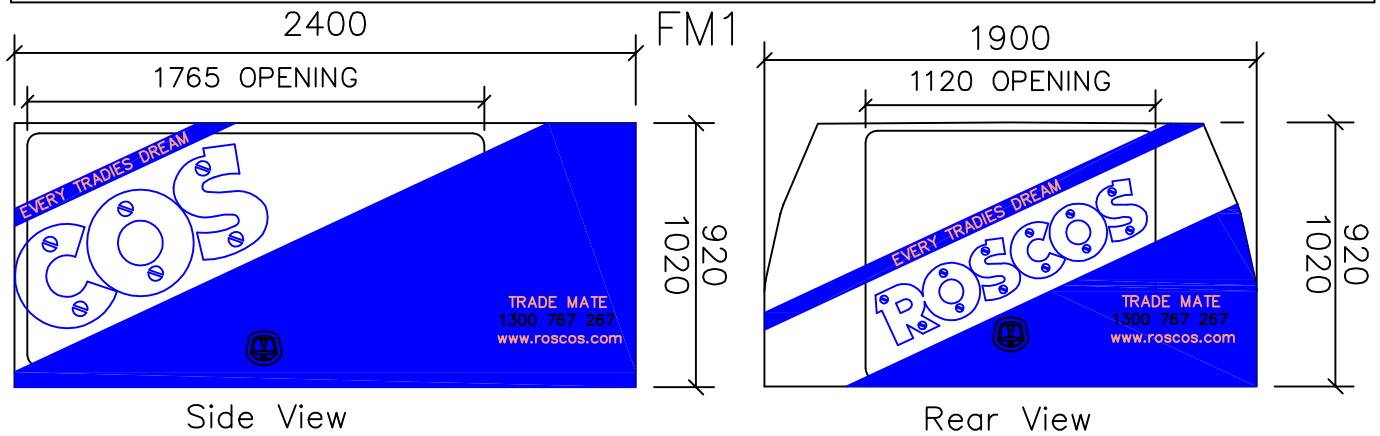


FLEXI-MATE-FM1 SPECIFICATION



DESCRIPTION: The FLEXI-MATE is two or three door body with two side doors & a rear door (when applicable) this body bolts onto an existing flat tray.

this body is Colour coded to match the cab (Metallic extra)

Optional: with or without floor.

Optional: electrics

SUITABLE FOR SINGLE CAB VEHICLES FITTED WITH TRAY

FLEXI-MATE OPTIONS:

- *All door safety switches
- *12v twin interior fluorescent light
- *Modify rear drop sides (refer to price list)
- *Supply drop sides to suit (painted) per metre
- *Eye bolt with reinforced corners (applicable to TRADE MATES without floors)
- *Bi-fold door (door opening reduced by 20mm)
- *Lock mat flooring
- *Front and rear windows
- *Side door window
- *Security mesh
- *Electrical accessories
- *Roof racks
- *Shelving

*All measurements listed are approximate and are only to be used as a guide. Management reserves the right to alter measurements without notice.