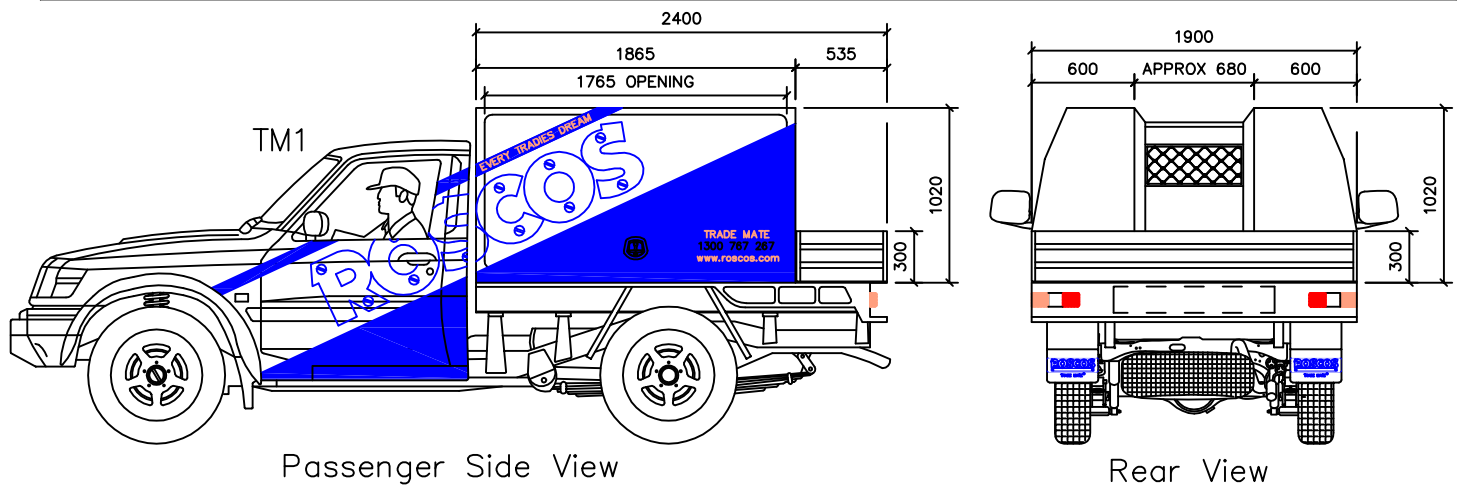


TOOL MATE – TM1 SPECIFICATION



Passenger Side View

Rear View

DESCRIPTION: The Tool Mate is a whole unit with 2 doors centre gap & rear tray space, 300mm drop sides, front cut out with mesh & rear steps, including two interior lights, one over each door & side door safety switches, Colour coded to match the cab (Metallic extra) This Trade Mate is bolted directly to the chassis.

SUITABLE FOR SINGLE CAB VEHICLES

Make & Model

- Ford Ranger Single cab chassis
- Holden Rodeo Single cab chassis
- Toyota Hilux Single cab chassis
- Toyota Landcruiser Single cab chassis
- Mazda Bravo Single cab chassis
- Mitsubishi Triton Single cab chassis
- Nissan Navara Single cab chassis
- Nissan Patrol Single cab chassis

***Please note: Location for toolboxes & water tanks are determined by cab chassis specifications & area availability.**

OPTIONS:

- *Underslung water tank
- *Underslung toolbox
- *Remote central locking (if fitted to cab)
- *Slide out or vertical vices (100mm or 125mm)
- *Bi-fold door (door opening reduced by 20mm)
- *Lock mat flooring
- *Slide out shovel tray (130mm)
- *Slide out shovel tray safety switch
- *Spare tyre mount
- *Adjustable Gas bottle restraints (bottles up to 300mm) including ratchet strap & floor vent
- *Roll Over Protection fitted @ front of TRADE MATE internally (when bull bar is fitted in conjunction with above a certificate will be issued)
- *Roof or roof rack mounted Swivel work lamp
- *Roof or roof rack mounted Revolving Amber Beacon
- *Brake, tail, reverse & indicator assembly mounted to roof rack or back panel (pair)
- *Roof or roof rack mounted brake, tail lights (pair)
- *Roof or roof rack mounted front & rear facing indicators (pair)
- *Rear tailgate to double as a workbench with checker plate top
- *Roof racks
- *Side Steps (front/rear)
- *Shelving
- *Spring upgrades
- *Rear removable rack

***All measurements listed are approximate and are only to be used as a guide. Management reserves the right to alter measurements without notice.**