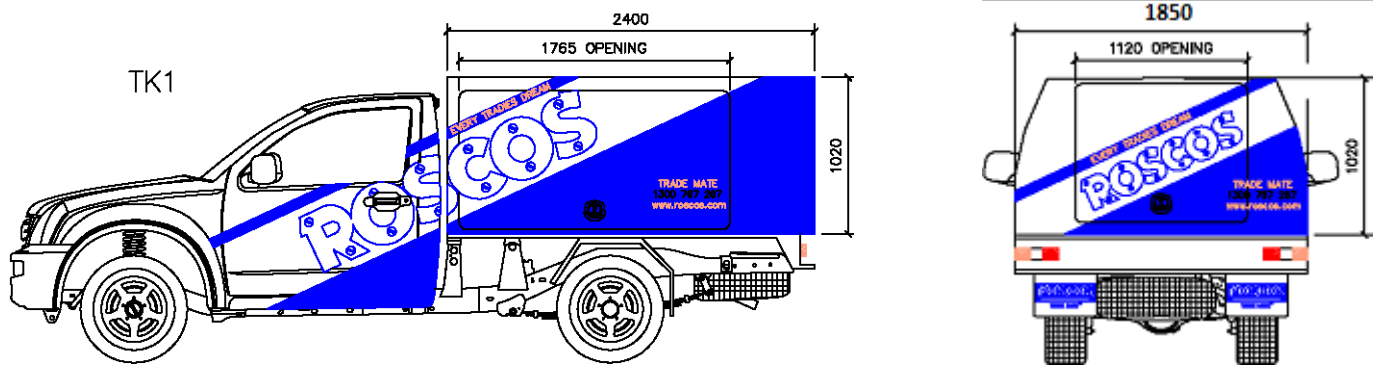


THE KING-TK1 SPECIFICATION



Suitable for most Single Cab Vehicles

DESCRIPTION: The King – TK1 is a three door body with two side doors and a rear door.

- Includes Side Rope Rails
- LED Tail lights and painted to match the vehicle. (Metallic extra).
- This Trade Mate is bolted directly to the chassis.
- Weight 260kg

Special note: Height consideration to 920mmH when sealed slide out shovel tray is selected as an option

Sample of Electrical Options:

- LED Interior Light
- All Door Safety Switches (Door Buzzers)
- 12V dual power outlets
- Remote central locking (if fitted to the cab)
- Swivel work lamps
- Revolving beacons
- Reversing sensors
- High mount tail lights
- Mine site lights (LED)

Other Options:

- Spring upgrade
- Shelving fixed (custom)
- Shelving adjustable with or without bins
- Fold out work bench

Sample of Internal and External Options

- Front and rear windows
- Side door window
- Security mesh
- Slide out vertical vice holder
- Drop down vice holder
- Vices
- Sealed slide out shovel tray (130mm) with Safety switch (30kg) including security brake
- Spare tyre mount
- Adjustable gas bottle restraints (bottles up to 300mm) Including ratchet strap and floor vent
- Roof racks
- Roof bars
- Floor matting
- Underslung tool box
- Underslung water tank

NOTE: Locations of underslung tool boxes and water tanks are determined by cab chassis specifications and area availability

This specification sheet is a guide only and management reserves the right to alter measurements without notice.

At Rosco's Trade Mate we can fully custom to suit your requirements give us a call today to discuss further options.

Phone: (08) 9418 6400

Fax: (08) 9418 3436

Email: sales@roscos.com

The Original and the Best